

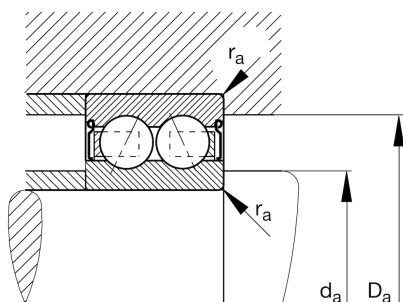
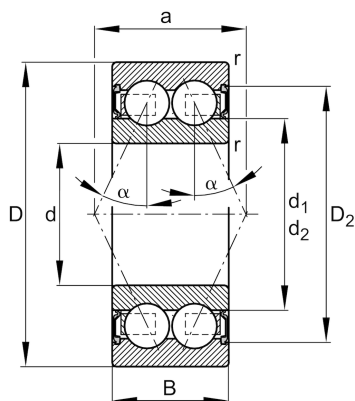
3006-2RS

Angular contact ball bearing

Schaeffler ID:
0009590140000

Angular contact ball bearing 30..-B-2RS-TVH, double row, seals, plastic cage

Technical information



Main Dimensions & Performance Data

d	30 mm	Bore diameter
D	55 mm	Outside diameter
B	19 mm	Width
C_r	19,900 N	Basic dynamic load rating, radial
C_{0r}	15,400 N	Basic static load rating, radial
C_{ur}	800 N	Fatigue load limit, radial
n_G	7,400 1/min	Limiting speed
	0.17 kg	Weight

Dimensions

r_{min}	1 mm	Minimum chamfer dimension
D_2	49.1 mm	Caliber diameter outer ring
d_2	35.6 mm	Caliber diameter inner ring
a	27.4 mm	Distance between the apexes of the pressure cones
α	25 °	Contact angle

Mounting dimensions

$d_{a min}$	34.6 mm	Minimum diameter shaft shoulder
$D_{a max}$	50.4 mm	Maximum diameter of housing shoulder
$r_{a max}$	1 mm	Maximum fillet radius

Temperature range

T_{min}	-20 °C	Operating temperature min.
T_{max}	100 °C	Operating temperature max.